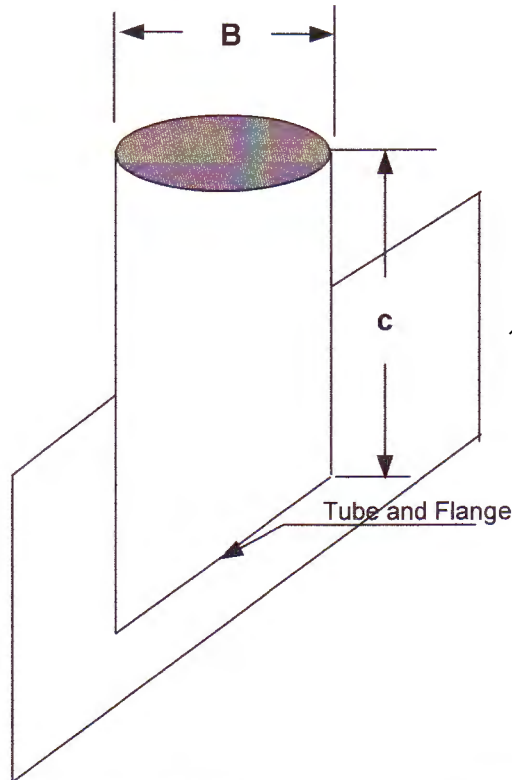


B SIZE OF TUBE

C HEIGHT OF BACK OF TUBE



American Architectural
Metal Manufacturers, Inc.
1998

MATERIAL:

Bare Galv

copper

lead coded copper

Stainless Steel

check here if item needs to be soldered

QUANTITIES: _____

.032 M/F Alum

.032 kynar color

THESE ITEMS CAN NOT BE SOLDERED

PROJECT NAME:

QUOTE:

ORDER: PO# _____

INSTALLER:

SIGNATURE:



**CUSTOM
FABRICATION**

**SLOPED TUBE AND
FLANGE**

Drawn by AAMMI 1998