

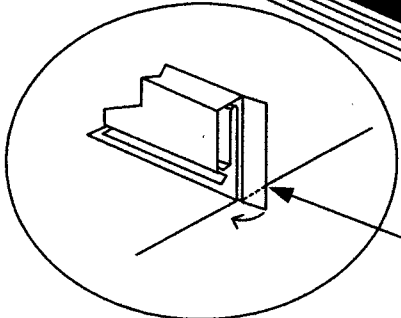
American Architectural
Metal Manufacturers, Inc.
1998

AAMMI'S TL1750 PANEL

VALLEY TRIM

BUTYL TAPE SEALANT

ICE AND WATER SHIELD



CUT AND TURN FEMALE
LEG TO FORM
CLOSURE

PROJECT NAME:

DATE:

INSTALLER:

DISTRIBUTOR:



**EAGLE
METAL
ROOFING
SYSTEMS**

VALLEY DETAIL

Drawn by AAMMI 1998