

**CAN BE MADE WITH ANY
GUTTER PROFILE**

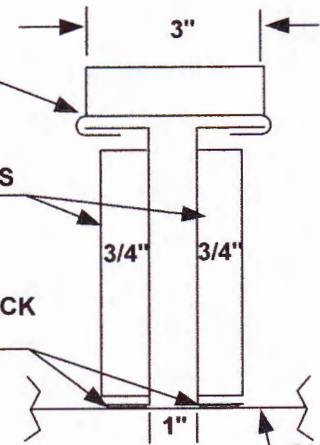
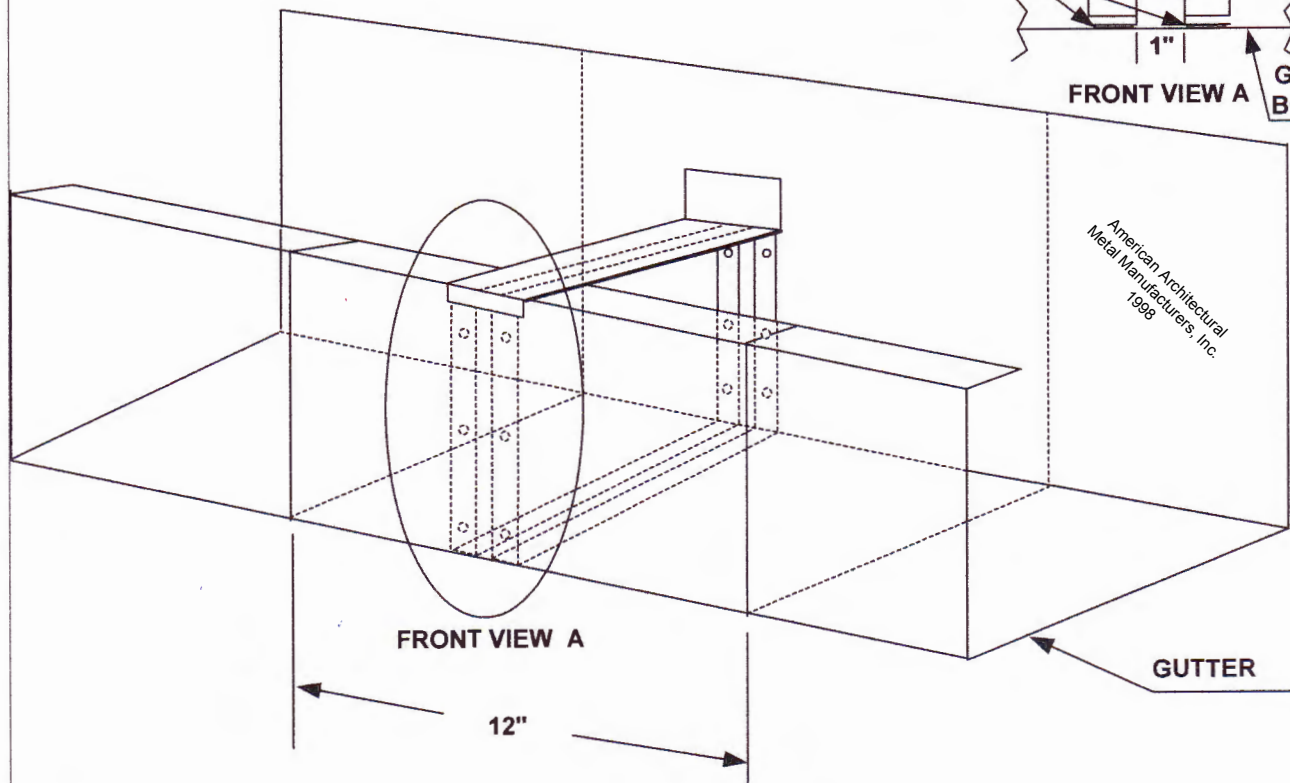
**EXPANSION JOINT COVER
PLATE**

**BUTYL SEALANT ON
BOTTOM FRONT AND BACK
LEGS OF END CAPS**

END CAPS

FRONT VIEW A

**GUTTER
BOTTOM**



American Architectural
Metal Manufacturers, Inc.
1998

MATERIAL: _____ **QUANTITIES:** _____ **Lf (10' INCREMENTS)**

- 24 Ga. Galv. 22 Ga. Galv.
- .040" .050" 063 ALUMINUM

Miters: _____ I.S.
 _____ O.S

End Caps: _____

Color: _____ Finish: _____

PROJECT NAME: _____

QUOTE:

ORDER: PO# _____

INSTALLER: _____

SIGNATURE: _____



**EAGLE
PERIMETER
EDGE
SYSTEMS**

**GUTTER EXPANSION
JOINT**
Drawn by AAMMI 1998